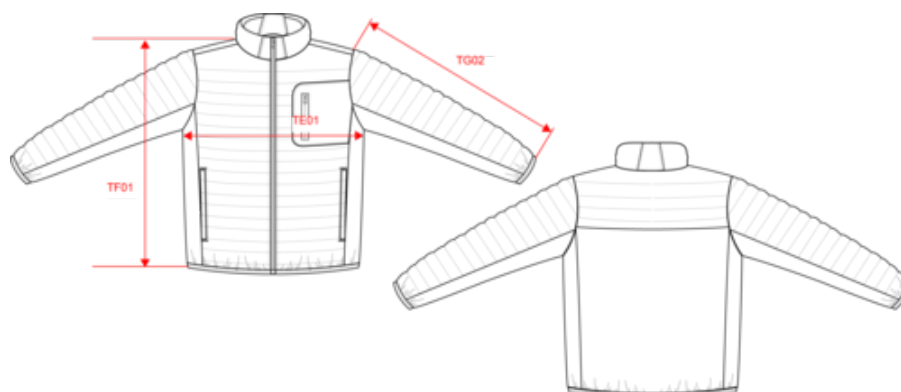


KARIBAN

K6171

Veste bi-matière homme

Dimensions (cm)



Mesures en cm	XS	S	M	L	XL	XXL	3XL	4XL
TE01 - 1/2 largeur poitrine à 1.5cm de l'emmanchure	49.00	52.00	55.00	58.00	61.00	64.00	67.00	70.00
TF01 - Hauteur totale de l'HSP	67.00	69.00	71.00	73.00	75.00	77.00	79.00	81.00
TG02 - Longueur manche longue	64.50	65.50	66.50	67.50	68.50	69.50	70.50	71.50

KARIBAN

K6171

Veste bi-matière homme

Informations Couleurs



Black

RVB : 35,35,37
Pantone C : Black
Pantone TCX : 19-4004TCX

Dark Grey Heather

RVB :
Pantone C : White / Based on 446C
Pantone TCX : 11-0601TCX / 19-3901TCX



Mid Navy

RVB :
Pantone C :
Pantone TCX : Pantone TCX :

Midnight Navy Heather

RVB :
Pantone C :
Pantone TCX : Pantone TCX :

Logistique



1



10

Sizes	Width (cm)	Height (cm)	Length (cm)	Net weight (kg)	Gross weight (kg)	Pieces/Box	Pieces/Bundle
XS	40.00000	28.00000	60.00000	4.60000	6.10000	10	1
S	40.00000	28.00000	60.00000	4.80000	6.30000	10	1
M	40.00000	28.00000	60.00000	5.00000	6.50000	10	1
L	40.00000	28.00000	60.00000	5.20000	6.70000	10	1
XL	40.00000	28.00000	60.00000	5.40000	6.90000	10	1
XXL	40.00000	32.00000	60.00000	5.60000	7.10000	10	1
3XL	40.00000	32.00000	60.00000	6.00000	7.50000	10	1
4XL	40.00000	32.00000	60.00000	6.40000	7.90000	10	1